



MELBOURNE

2014 MOTORHOMES BY JAYCO

THE ULTIMATE **CURVE** APPEAL.



2014 MELBOURNE | MOTORHOMES BY JAYCO



Read more about our industry-leading **2-YEAR WARRANTY** on the back cover!

MELBOURNE

CURVES IN ALL THE RIGHT PLACES.



Introducing the 2014 Jayco Melbourne, a Class C motorhome that delivers ultimate performance and legendary comfort in an aerodynamically curved design. Built for well-traveled people who love to travel well, Melbourne masters maneuverability with a Triton 305 HP engine, Ford E-450 chassis and the Jayco-exclusive JRide package. Now, every journey has curve appeal.



DESIGNED FOR YOUR JOURNEY

305 HP TRITON ENGINE



ENGINE

Melbourne combines a robust 6.8L EFI V-10 305 HP Triton engine with a Ford E-450 chassis for precise handling.

THIRD BRAKE LIGHT



SAFETY

Great design starts with great priorities — like your safety. Melbourne, unlike other Class Cs, comes equipped with a third brake light for added safety.



Maneuver the roads in comfort thanks to an Optima leather driver seat with 6-way power.

LAP BELTS



LAP BELTS

Jayco's focus on safety doesn't stop with an extra brake light. We build lap belts into every seating position to protect your family.

IN-DASH INFOTAINMENT



TECHNOLOGY

A 6.5" touch-screen display features back-up views, built-in GPS and entertainment for the road.

INTERIOR DÉCOR CHOICES

MIDNIGHT



- 1 Sofa and Driver/ Passenger Seats
- 2 Accent
- 3 Bedroom
- 4 Flooring

JEWEL



EXTERIOR PAINT CHOICES



SILVER SPARKLE
PREMIUM PAINT (STANDARD)



SUNDANCE GOLD
PREMIUM PAINT (OPTIONAL)



UNMELLOW
PREMIUM PAINT (29X ONLY)



CARBON
PREMIUM PAINT (29X ONLY)



High-end kitchen with one-piece, solid-surface countertops

Queen-sized bed with Denver Mattress



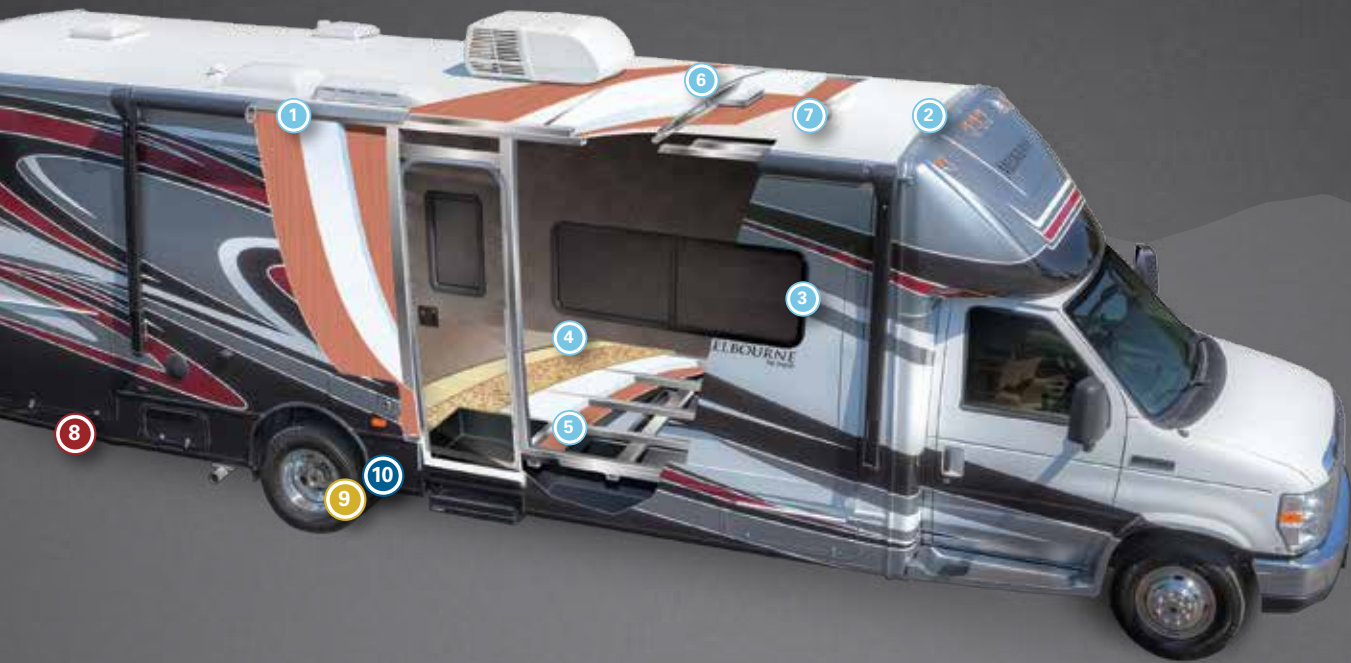


MELBOURNE 29D | MIDNIGHT

Three-burner cooktop with microwave-oven combination

Fiberglass rear cap and optional frameless windows





Superior construction meets a superior ride.

WALL CONSTRUCTION

- 1 Vacuum bonded: Features laminated layers of high-gloss fiberglass, luan, aluminum framing, R-7 bead-foam insulation and vinyl paneling
- 2 Fiberglass front and rear cap: Boasts an industry-best 30-month warranty (covers repair or replacement of any defective cap 30 months after manufacture date)*
- 3 Optional frameless windows: An industry-first on Class C motorhomes

FLOOR CONSTRUCTION

- 4 Vacuum bonded: Features laminated layers of Darco underbelly, a welded aluminum frame, R-9 bead-foam insulation and 5/8" Structurwood
- 5 Welded aluminum frame: Lighter and more corrosion-resistant than competing steel frames, provides more cargo capacity

ROOF CONSTRUCTION

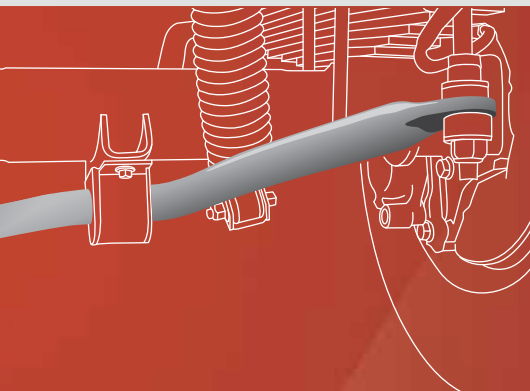
- 6 Vacuum-bonded layers: Features laminated layers of fiberglass, 5" arched aluminum trusses, moisture-resistant 1/4" plywood decking, R-23 bead-foam insulation and vinyl soft-touch pad
- 7 Seamless fiberglass shield: Is superior to competing synthetic rubber roofs that require after-market kits to revitalize faded rubber

* See warranty policy for front cap details.

JRIDE

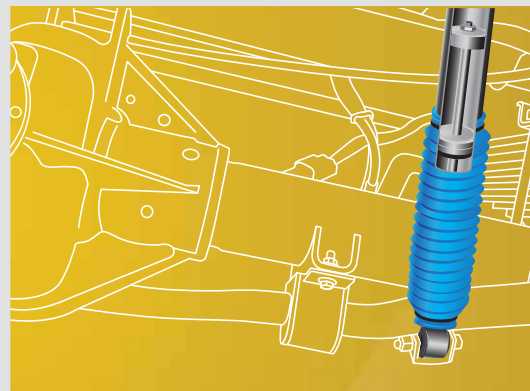
RIDE AND HANDLING. **DEFINED.**

JAYCO.COM/JRIDE



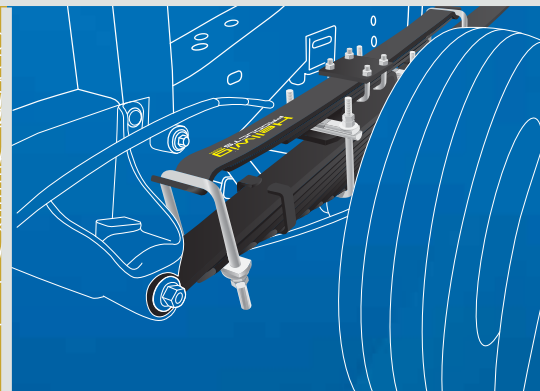
STABILIZER BAR

- 8 Melbourne's rear stabilizer bar raises and lowers each side of the unit to similar heights, reducing roll when cornering. No other Class C is equipped with this.



BILSTEIN SHOCKS

- 9 Bilstein shock absorbers, not found on other Class Cs, reduce bounce and eliminate excessive sway. A unique monotube design doesn't trap heat, reducing shock failure.



HELLWIG HELPER SPRINGS

- 10 Fluctuating loads impact alignment, reduce traction and diminish handling. Hellwig helper springs correct this, compressing under loads to level out your RV.

STANDARDS AND OPTIONS

CUSTOMER VALUE PACKAGE

JRide Package: Bilstein shocks, stabilizer bar, Hellwig helper springs and rubber isolation body mounts
 Portable, outside gas grill
 Tankless water heater
 400-watt inverter
 15,000-BTU A/C with heat pump
 Back-up/side-view cameras and monitor
 Deluxe, remote-controlled, heated, side-view mirrors
 Touch-screen premium in-dash sound system with AM/FM/CD/DVD, back-up camera monitor and built-in GPS
 12V electric awning with LED lights

STANDARD EXTERIOR EQUIPMENT

One-piece fiberglass roof
 TuffShell vacuum-bonded laminated floor and sidewalls
 High-gloss, gel-coated sidewalls
 Front and rear fiberglass caps
 3M paint protection film
 Fiberglass running boards
 Electric-powered, double-entrance step
 Radius-cornered entrance door with screen
 Keyless entry, touchpad locking system
 Slideout topper awnings

Exterior speakers, high-output, marine-grade (2)
 Lockable exterior storage compartments
 Onan 4,000-watt MicroQuiet generator with auto-changeover
 Dual-sliding battery tray
 House battery
 Illuminated battery disconnect switch
 12V electrical system with 110V, 60-amp power converter
 30-amp power cord
 120V G.F.C.I. protected exterior receptacle
 53-lb. propane tank
 Black holding tank sprayer
 Sewer hose compartment with door
 Hookup for city water
 12V demand water pump
 Water purification system
 Heated holding tanks, 12V pads
 Outside shower
 Roof ladder

STANDARD INTERIOR EQUIPMENT

78" ceiling height with padded vinyl ceiling
 Washington Glazed raised-panel cabinetry with deluxe hidden hinges
 Ball bearing drawer guides, 75-lb. capacity
 One-piece solid-surface, high-gloss countertop with integrated deep bowls with (2) sink covers

8 cu. ft. double-door refrigerator
 Convection microwave with 3-burner cooktop and range hood
 Dream Dinette mechanism, raises and lowers dinette tabletop
 31,000-BTU auto-ignition furnace with wall thermostat
 Interior Command Center
 Cable TV hookup with RG-6 coax
 Digital antenna with signal booster
 Prep for satellite dish
 Electric leatherette comfort sofa
 Entertainment center with 32" digital LED HDTV
 Diamondfloor vinyl floor
 ABS shower with one-piece surround
 Porcelain stool with foot flush
 Residential medicine cabinet with mirror
 Skylight in shower with light
 Powered attic fan
 Queen-sized bed with Denver Mattress and bedspread
 22" bedroom LED HDTV

STANDARD DRIVING EQUIPMENT

Auxiliary start switch
 Optima leather driver seat with 6-way power
 Optima leather passenger seat
 Power windows and door locks

Tilt steering wheel
 Power anti-lock brakes with power steering A/C and cruise control
 Ford E-450 chassis
 Triton 6.8L EFI V-10 305 HP engine with 420 lbs./ft. torque
 5-speed automatic TorqueShift series transmission with overdrive
 55-gal. fuel tank
 120-amp alternator
 5,000-lb. rated hitch with 7-way plug
 Wheel liners
 Hellwig helper springs and rubber isolation body mounts

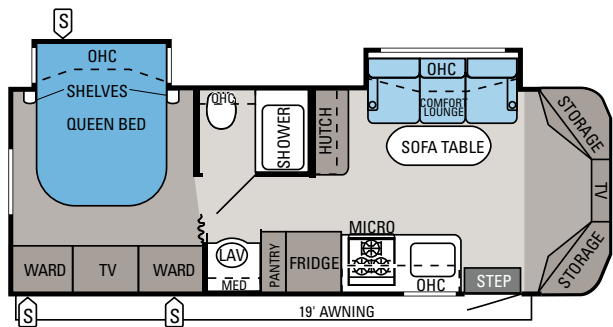
OPTIONS

Frameless windows (mandatory option) (standard on 29X)
 Aluminum rims (standard on 29X)
 Hydraulic leveling jacks (standard on 29X)
 Premium Paint Package: Silver Sparkle
 Premium Paint Package: Sundance Gold
 Carbon interior/exterior scheme (29X only)
 Unmellow interior/exterior scheme (29X only)



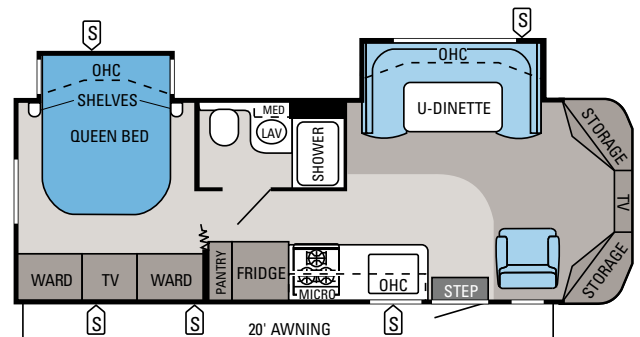
FOR A COMPLETE LIST OF STANDARDS AND OPTIONS, SCAN HERE WITH YOUR SMARTPHONE OR VISIT JAYCO.COM.

FLOORPLANS



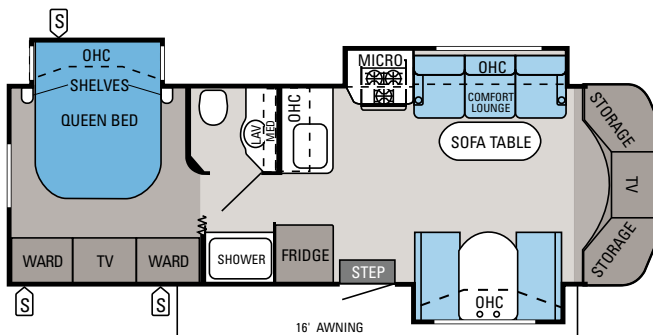
MELBOURNE | 26A

Ext. Length: 28' 9" Ext. Height: 128" Sleeps: 3



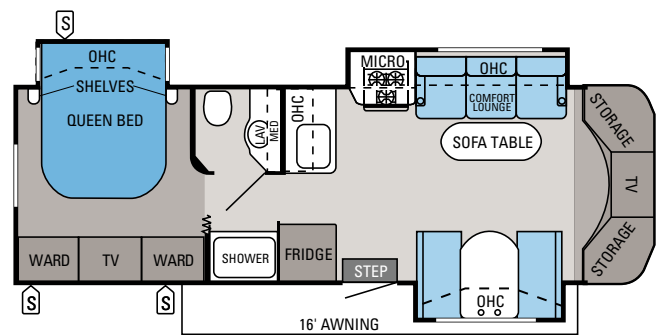
MELBOURNE | 28F

Ext. Length: 30' Ext. Height: 128" Sleeps: 3



MELBOURNE | 29D

Ext. Length: 31' 7" Ext. Height: 128" Sleeps: 4



MELBOURNE | 29X

Ext. Length: 31' 7" Ext. Height: 132" Sleeps: 4

SPECIFICATIONS

FLOORPLAN	EXT. LENGTH	EXT. WIDTH	EXT. HEIGHT (WITH A/C)	INT. HEIGHT	GROSS VEHICLE WEIGHT RATING (LBS.)	GROSS COMBINED WEIGHT RATING (LBS.)	ENGINE/SIZE	WHEEL BASE	FURNACE AUTO-IGNITION (BTUS)	FRESH WATER CAPACITY (GALS.)	GRAY WASTE WATER CAPACITY (GALS.)	BLACK WASTE WATER CAPACITY (GALS.)
26A	28' 9"	96"	128"	78"	14,500	22,000	6.8L TRITON EFI V-10	181"	31M	32.75	34	32
28F	30'	96"	128"	78"	14,500	22,000	6.8L TRITON EFI V-10	191"	31M	32.75	34	32
29D	31' 7"	96"	128"	78"	14,500	22,000	6.8L TRITON EFI V-10	212"	31M	31	34	32
29X	31' 7"	96"	132"	77"	14,500	22,000	6.8L TRITON EFI V-10	212"	31M	32.75	34	33

Gross Vehicle Weight Rating (GVWR): The maximum permissible weight of the motorhome, including the Unloaded Vehicle Weight (UUV) plus passengers, personal items, all cargo, fluids, options and dealer-installed accessories. The GVWR is equal to or greater than the sum of the UUV and the Cargo Carrying Capacity.

Gross Combined Weight Rating (GCWR): The maximum allowable combined weight of the motorhome used as a tow vehicle and the attached towed vehicle.

It is important for your safety and enjoyment that you are aware of the weights and tow ratings of the RV you select. Consult a competent advisor for questions or advice. Whether you are new to RVing or a veteran, get a feel for the performance

of your RV before heading out on the roadways. When you tow a vehicle with your RV, you must drive differently than when you drive a single vehicle. Practice hooking up, driving, backing up and braking in a safe environment or seek out professional instruction. Jayco affixes a weight label to each RV which lists weight information for that vehicle. Refer to that label to verify the vehicle will meet your requirements. See specifications chart above.

2-YEAR WARRANTY

Peace of mind
comes standard.



BUMPER
to
BUMPER
LIMITED WARRANTY*

Nobody offers a better warranty than Jayco. With our exclusive 2-year Co-Pilot Warranty, the only strings we attach are those that deliver the ultimate in reliability. At Jayco, your peace of mind is our priority, and that's the Jayco difference.

*For a copy of our 2-year limited warranty with full terms and conditions, please contact your local Jayco dealer or visit Jayco.com.

300 JAYCO DEALERS

A four-decade strong network.

From the sales experience to service after the sale, we consider our dealers to be an important part of the Jayco family. Establishing a solid relationship with your local Jayco dealer is a key component in the enjoyment of your new Jayco. By purchasing from a local dealer, you will have a convenient location for sales, parts and service support. We hope you consider them a part of your camping family.

Your local dealer

1-YEAR FREE

Roadside Assistance

Travel worry-free with Jayco's Customer First Roadside Assistance program, yours at no cost during your first year of ownership. This program is offered through Coach-Net, the country's largest RV emergency road service, and gives you immediate access to assistance.

Coach-Net
RV Technical & Roadside Assistance



Generations of family fun.

THE JAYCO STORY BEGAN IN 1968 WITH OUR FAMILY—THE BONTRAGERS. Lloyd Bontrager created an innovative, easy-to-use lifter system that led to a better fold-down camper. Loaded with more conveniences, he believed his camper would bring families closer together.

Since then, Jayco has helped generation after generation create family stories — good, old-fashioned family fun built around campfires with a Jayco RV nearby. At Jayco, we strive to build family-friendly products that will outlast just about everything but your memories. We'd love nothing more than to be a part of your family story. Join us in our generations of family fun.

eco advantage™

Jayco's long-term commitment
to protecting the environment.



Scan this QR code with your smartphone to watch a video about our efforts and the impact we're making on our planet.
jayco.com/ecoadvantage

Follow us on



Jayco, Inc., P.O. Box 460, Middlebury, IN 46540, www.jayco.com 

See dealer for further information and prices. All information in this brochure is the latest available at the time of publication approval. Jayco reserves the right to make changes and to discontinue models without notice or obligation. Photos in this brochure may show optional equipment and props for photography purposes. RVs built for sale in Canada may differ to conform to Canadian codes. ©2013 Jayco, Inc. 14-MELB-PL 0214-20K Printed in U.S.A.